



IPC Compliant Hand Soldering Kit

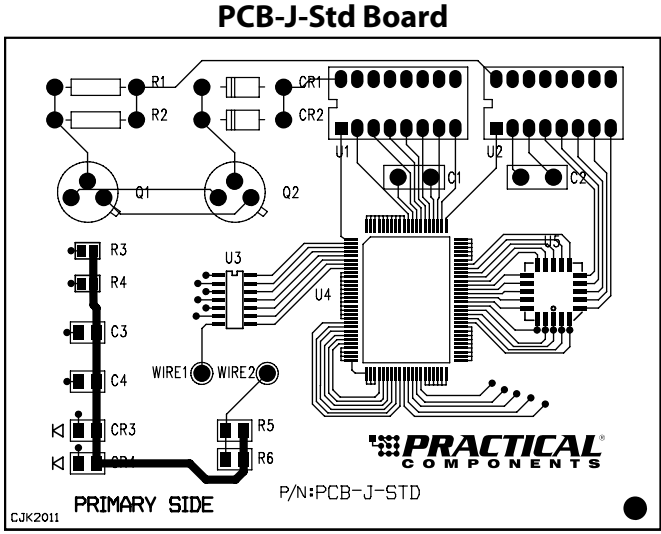
Tin-Lead and Lead-Free Kits Available 

PCB-J-STD Board Soldering Kit Conforms to J-STD-001E Specifications

The PC016 Mixed Technology Kit is an effective and economical way to train and evaluate students and employees. This kit contains a variety of standard Surface Mount and Through-Hole components with traces to simulate real world situations. Each kit comes individually boxed with all components bagged and labeled for easy identification. Conforms to IPC J-STD-001E standard for soldering. In stock and ready to ship, this kit is perfect for classroom settings.

Available as a
Single Pack Kit

IPC Compliant



Board size: 3" x 4", .062 thick, IS-410 board material. HASL and Immersion Silver finish is available.

PC016-J-STD-E Hand Soldering Kit

Part Description	Quantity Per Kit
PCB016	2
1/4-W-AR	4
TO5	4
TO5 Spacer	4
DO35	4
CK05 *see note	4
CK05 Spacer	4
DIP16	4
0805SMR	4
1206SMR	4
1206SMC	4
SOD80	4
SO14GT-3.8mm	2
QFP100-14x20mm-.65mm-3.2	2
PLCC20	2
Turret Terminals	4
Bifurcated Terminals	4
Pierced Terminals	4
Hook Terminals	4
Gold Cup Terminals	4
20 Gauge Wire	3'
22 Gauge Wire	3'
26 Gauge Wire	3'
Kit Order Number: (Tin-Lead)	PC016-J-STD-E
Kit Order Number: (Lead-Free)	PC016-J-STD-E-LF

Note

- *CK05 may be substituted with Radial Mono.

PC016-J-STD-E Lead-Free Hand Soldering Kit

Part Description	Quantity Per Kit
PCB016	2
1/4-W-AR-Sn	4
TO5-Sn	4
TO5 Spacer	4
DO35-LF	4
CK05-LF *see note	4
CK05 Spacer	4
DIP16-Sn	4
0805SMR-Sn	4
1206SMR-Sn	4
1206SMC-Sn	4
SOD80-Sn	4
SO14-3.8mm-Sn	2
QFP100-14x20mm-.65mm-3.2mm-Sn	2
PLCC20-Sn	2
Turret Terminals	4
Bifurcated Terminals	4
Pierced Terminal	4
Hook Terminals	4
Gold Cup Terminals	4
20 Gauge Wire	3'
22 Gauge Wire	3'
26 Gauge Wire	3'
Kit Order Number:	PC016-J-STD-E-LF

J-STD-001E is world-recognized as the sole industry-consensus standard covering soldering materials and processes. This revision now includes support for lead free manufacturing, in addition to easier to understand criteria for materials, methods and verification for producing quality soldered interconnections and assemblies. The requirements for all three classes of construction are included. Full color illustrations are provided for clarity. This standard fully complements IPC-A-610E. **60 pages—Released February 2005.**