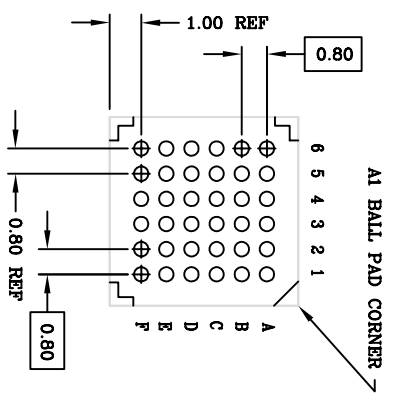
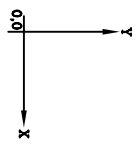


THE DRAWINGS AND INFORMATION CONTAINED HEREIN ARE THE EXCLUSIVE PROPERTY OF AMOR/ANM.
 THE INFORMATION, DRAWINGS AND DESIGN CONCEPTS CONTAINED HEREIN ARE CONFIDENTIAL/PROPRIETARY, SHALL
 BE KEPT CONFIDENTIAL AND NOT BE RELEASED TO ANY THIRD PARTY WITHOUT THE EXPRESS
 WRITTEN PERMISSION OF AMOR/ANM.



BOTTOM VIEW
 (36 SOLDER BALLS)



REV	REV. NUMBER	REV.
B	732291	01
SCALE 8:1		SHEET 3 OF 3

2200006 REV B 8 7 6 5 4 3 2 1